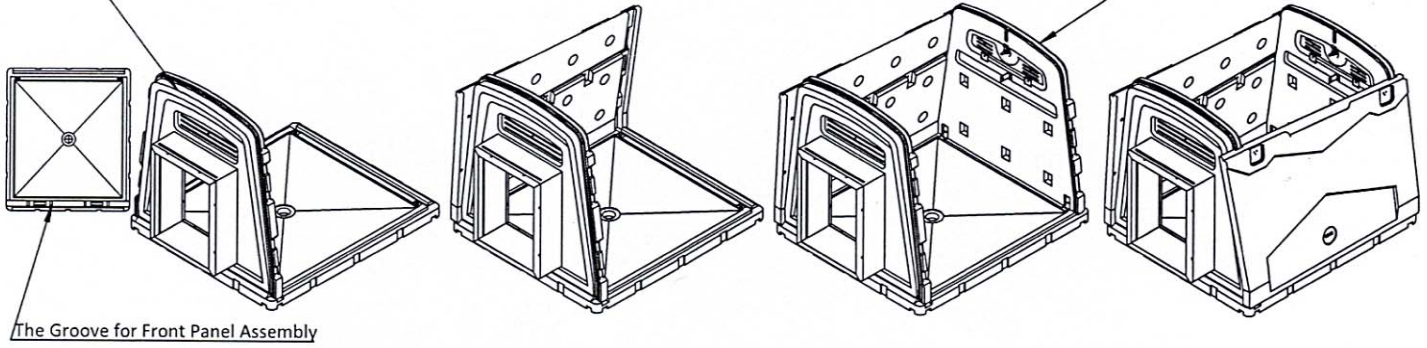


Economy Chicken Coop Assembly Instruction

Front Panel Assembly

Rear Panel Assembly

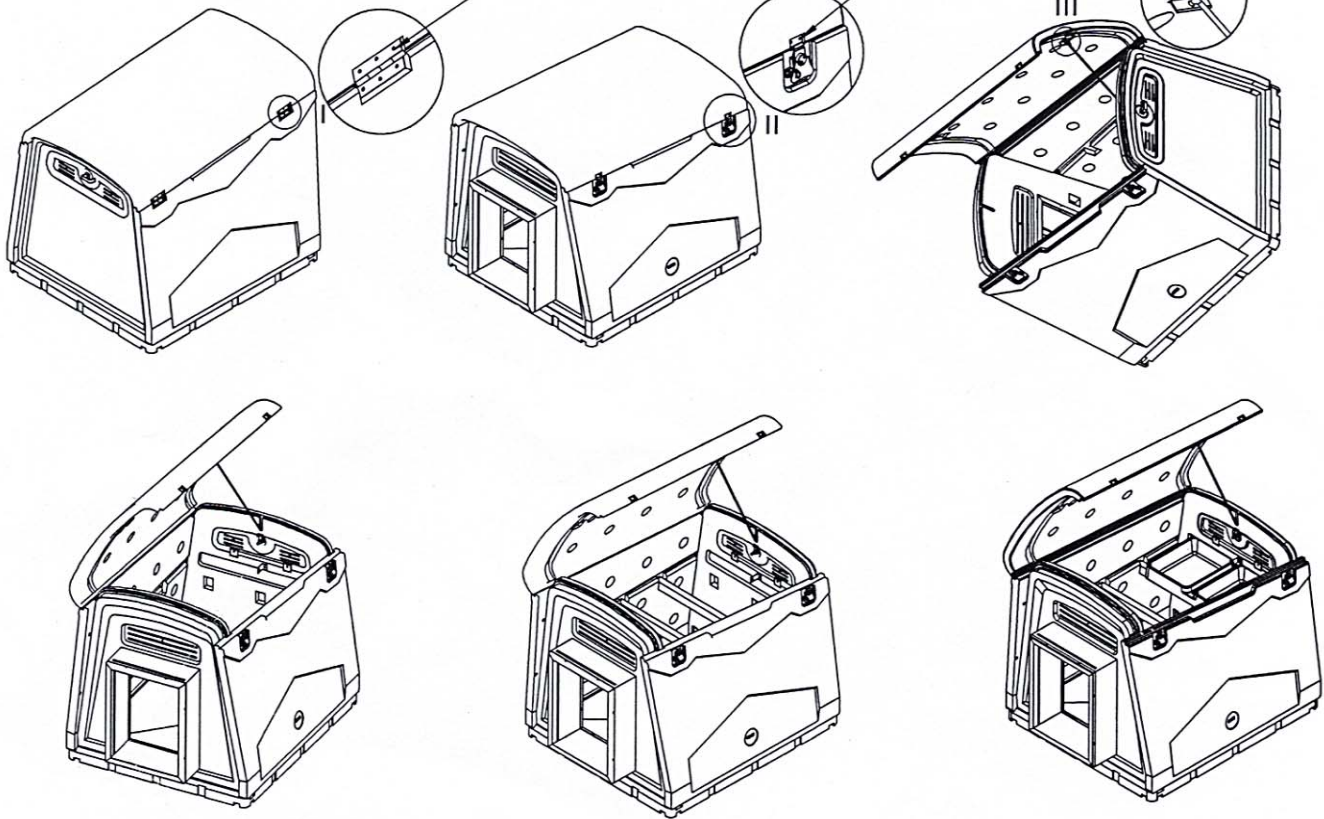


The Groove for Front Panel Assembly

12-M4.2x16 Screws

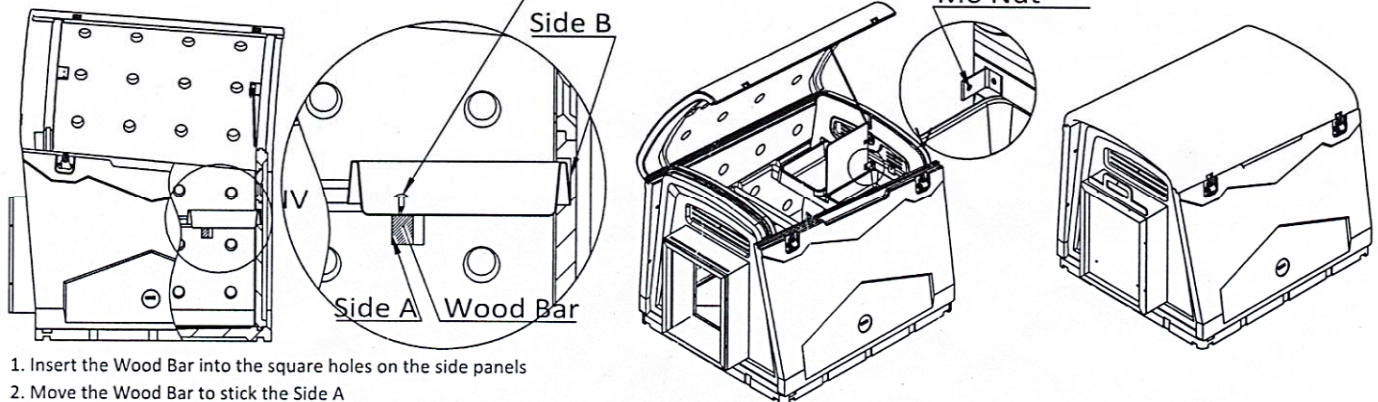
10-M4.2x16 Screws

3-M4.2x16 Screws



2-M4.2x15 Tapping Screws

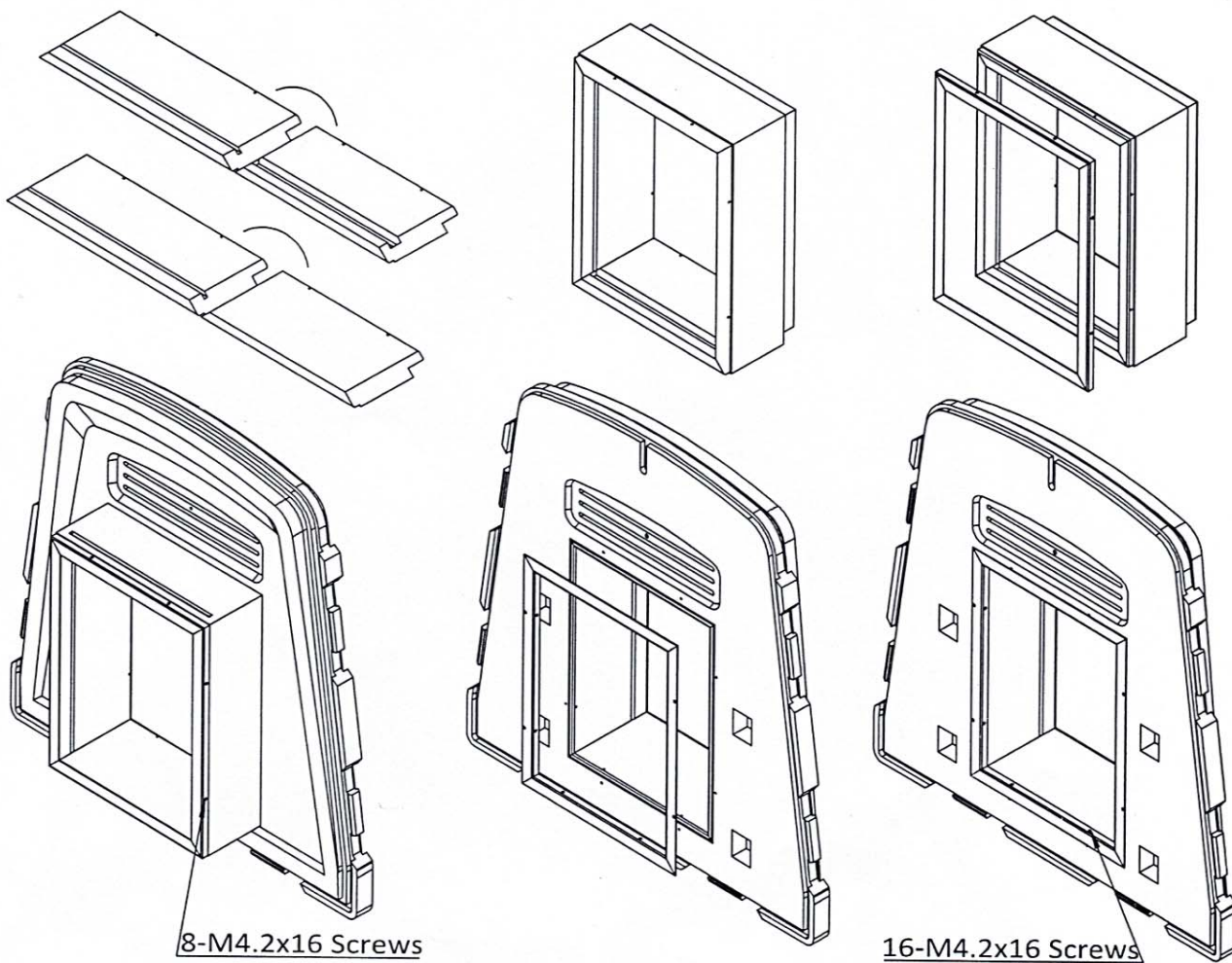
M6x12 Bolt
M6 Nut



1. Insert the Wood Bar into the square holes on the side panels
2. Move the Wood Bar to stick the Side A
3. Put the Nesting Bed onto the bar and move the Bed into the groove and stick the Side B
4. Hold the Nesting Bed onto the Wood Bar with two tapping screws

Economy Chicken Coop Assembly Instruction

Front Panel Assembly



Rear Panel Assembly

